



HENGJIU GROUP –
JIANGXI HENGJIU CHAIN TRANSMISSION CO.,LTD

Jiangxi Hengjiu Chain Transmission Co., Ltd

KETOZ Chain

-Transmit Safety & Reliability

OUR COMPANY

Jiangxi Hengjiu Chain Transmission Co., Ltd, a branch of Zhejiang Hengjiu Machinery Group Company. Ever since founded in 1953, Hengjiu has been keep striving to improve product's performance. We focusing on research and development of motorcycle chains and standard transmission roller chains..

Factory covers an area of 253080m². With modernized management system, automatically production lines and over 250 employees, we are one of the largest production bases of drive chains in China. To have further upgarde improvement, we are now developing automations in factory. Continually introducing more advanced automatic machine to fully achieve the strategic of production automation and product quality stabilization. such as Metallurgical Microscope and Carbon Sulfur Analyzer, has been improved to make sure that all materials met the quality request of spare parts production and continuously high speed precision punching machine, assemble with the die plate (degree of precision is 0.003mm) made by BMW-3000 CNC cutting machine, will highly improved the plate punching quality,

We set up our own lab center and formed a experienced&knowledgeable teams to carry out the research and development. Our factory are certificated by ISO9001:2008 Quality Management System, which has been the guidelines to lead our overall company's quality control management. Under this guidelines, we have improved advanced QC management system, conducted daily inspection to each step of the production process, so it can be high efficiency services to the quality management purpose.

Our products are exported to Eastern Europe, Latin America, South Africa, Middle East and Southeast Asia by cooperation with esteem local distributors and also become the first choice of domestic chains export company. We warmly welcome the domestic and overseas trading company with "Good reputation, High market recognition and value the brand development" to join us and seek mutual development.



Jiangxi Hengjiu Chain Transmission Co., Ltd

KETOZ Chain

-Transmit Safety & Reliability

QUALITY

New technology is always first in quality control, our company have continually introducing more advanced automatic machine to fully achieve the strategic of production automation and product quality stabilization.

Automatic mesh conveyer belt heat treatment production line has advantage of temperature control, automatic conveyor, quenching hardness even; Tilting converter largely reduced the product distortion and improved the wear quality and toughness of the chain parts by nitrocementation technology.

Latest automatic assemble production line, optimized by integrate disassemble, pre-load, assemble together and included the double checking device of shortage of chain parts, largely improved not only the product speed but also whole chains quality.

Riveting by improving the technology of two sides rivets to four sides rivets, so the chains are better looking and firmer.

For oiling and packing, all chains are soaked by “Rust Ban” oil which is widely used specially for motorcycle chains, then conveyor to the automatic packing line after hanging to room temperature. The latest introduced CNC high speed packing machine, take place of the hand package, make the packing neat, clear and accordance.

Besides we set up our own lab center and formed a experienced&knowledgeable teams to carry out the research and development. Under guidelines of ISO9001:2008 Quality Management System, we have improved advanced QC management system, conducted daily inspection to each step of the production process, so it can be high efficiency services to the quality management purpose.



Jiangxi Hengjiu Chain Transmission Co., Ltd

KETOZ Chain

-Transmit Safety & Reliability

TRANSMISSION CHAIN

KETOZ

Our own brand “KETOZ” was developed and well protected since 2004. It is known for its good quality and expertized service.

We are committed to the pursuit of excellence, providing customers with first-class products and services. And become the leader manufacturer and supplier in automotive chain industry.

KETOZ believe that “ where is a will, there is a way”, abide by enterprise policy “equality and mutual benefit & development”, we constantly seek for development and satisfaction of customers.

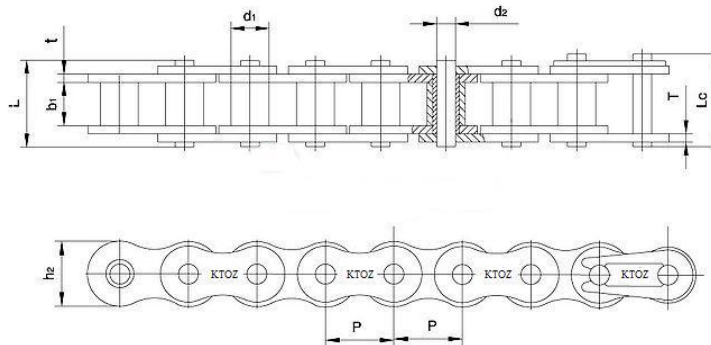


Jiangxi Hengjiu Chain Transmission Co., Ltd

KETOZ Chain

-Transmit Safety & Reliability

Motorcycle Chain



DIN ISO Chain No.	Pitch		d1 max mm	b1 min mm	d2 max mm	t/T mm	h2 max mm	L max mm	Lc max mm	U.T.S KN	A.T.S KN	q kg/m
	mm	inch										
420	12.70	1/2"	7.77	6.35	3.96	1.50	12.00	14.75	15.90	16.00	19.20	0.55
420H				6.35		1.70	12.00	15.70	17.00	17.00	20.40	0.63
428			8.51	7.75	4.45	1.60	11.80	16.85	18.10	17.80	21.36	0.69
428H				7.94		2.03	11.80	18.70	20.10	20.60	24.72	0.79
520	15.875	5/8"	10.16	6.35	5.08	2.03	15.00	17.30	18.90	26.50	31.80	0.89
520H				6.35		2.42	15.00	18.80	20.50	26.50	31.80	1.10
525				7.94		2.03	15.00	19.40	20.50	26.50	31.80	1.06
525H				7.94		2.42	15.00	20.50	22.20	26.50	31.80	1.20
530				9.50		2.03	15.00	20.50	22.20	26.50	31.80	1.06
530H				9.50		2.42	15.00	22.00	23.50	32.80	39.36	1.24
428-O	12.70	1/2"	8.51	7.95	4.45	1.60	12.00	-	-	20.10	24.12	0.72
428H-O	12.70	1/2"	8.51	7.94	4.45	2.00	12.30	-	-	22.00	26.40	0.85
520-O	15.875	5/8"	10.16	6.35	5.08	2.00	15.09	-	-	27.00	32.40	0.94
530-O	15.875	5/8"	10.14	9.50	5.08	2.00	15.09	-	-	28.00	33.60	1.11

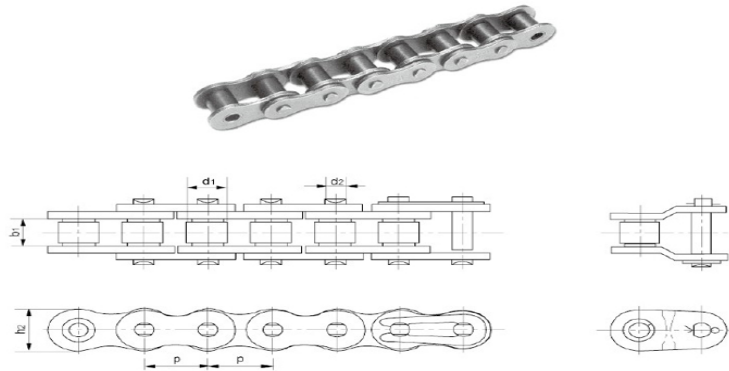


Jiangxi Hengjiu Chain Transmission Co., Ltd

KETOZ Chain

-Transmit Safety & Reliability

Short Pitch Precision Roller Chain (British Standard)



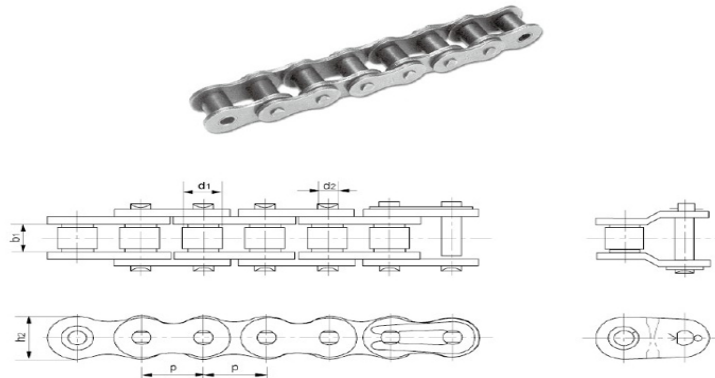
DIN ISO Chain No.	Pitch		d1 max mm	b1 min mm	d2 max mm	t/T mm	h2 max mm	Pt mm	L max mm	Lc max mm	U.T.S KN	A.T.S KN	q kg/m
	mm	inch											
06B-1	9.525	3/8"	6.35	5.72	3.28	1.30	8.26	-	13.15	13.50	9.00	10.80	0.38
06B-2								10.24	23.40	23.80	16.90	20.28	0.74
06B-3								10.24	33.60	24.00	24.90	29.88	1.10
08B-1	12.70	1/2"	8.51	7.75	4.45	1.60	11.80	-	16.85	18.20	18.00	21.60	0.74
08B-2								13.92	30.70	32.20	31.10	37.32	1.47
08B-3								13.92	44.60	46.00	46.65	55.98	2.20
10B-1	15.875	5/8"	10.16	9.65	5.08	1.70	14.60	-	19.50	20.50	22.40	26.88	0.95
10B-2								16.59	36.00	37.20	44.50	53.40	1.88
10B-3								16.59	52.60	53.80	66.70	80.04	2.81
12B-1	19.05	3/4"	12.07	11.68	5.72	1.85	16.10	-	22.45	23.40	29.00	34.80	1.23
12B-2								19.46	42.10	42.90	57.80	69.36	2.42
12B-3								19.46	61.60	62.30	86.70	104.04	3.61
16B-1	25.40	1"	15.88	17.02	8.28	3.24	21.00	-	35.50	36.70	60.00	72.00	2.77
16B-2								31.88	68.50	68.60	106.00	127.20	5.51
16B-3								31.88	99.50	100.50	160.00	192.00	8.25
20B-1	31.75	1 1/4"	19.05	19.56	10.19	4.50	26.40	-	41.40	44.00	95.00	114.00	3.90
20B-2								36.45	77.50	80.60	170.00	204.00	7.70
20B-3								36.45	114.00	116.90	250.00	300.00	11.44
24B-1	38.10	1 1/2"	25.40	25.40	14.63	6.00	33.40	-	53.50	57.70	160.00	192.00	7.14
24B-2								48.36	101.80	106.10	280.00	336.00	14.10
24B-3								48.36	150.20	154.40	425.00	510.00	20.79
28B-1	44.45	1 3/4"	27.94	30.99	15.90	7.60	37.00	-	65.10	69.00	200.00	240.00	9.36
28B-2								59.56	123.15	128.60	360.00	432.00	18.52
32B-1	50.80	2"	29.21	30.99	17.81	7.10	42.20	-	64.50	70.00	250.00	300.00	9.94
32B-2								58.55	124.10	128.50	450.00	540.00	19.60

Jiangxi Hengjiu Chain Transmission Co., Ltd

KETOZ Chain

-Transmit Safety & Reliability

Short Pitch Precision Roller Chain (American Standard)



ANSI Chain No.	ISO GB/T 1243	Pitch		d1 max mm	b1 min mm	d2 max mm	t/T mm	h2 max mm	Pt mm	L max mm	Lc max mm	U.T.S KN	A.T.S KN	q kg/m
		mm	inch											
25-1	04C-1	6.35	1/4"	3.30	3.10	2.31	0.80	6.00	6.40	7.95	8.70	3.50	4.20	0.15
25-2	04C-2									14.40	15.15	7.00	8.40	0.28
35-1	06C-1	9.525	3/8"	5.08	4.77	3.58	1.30	8.70	10.13	12.30	13.30	7.80	9.36	0.35
35-2	06C-2									22.40	23.40	15.60	18.72	0.69
081		12.70	1/2"	7.75	3.30	3.66	1.00	9.91		10.20	11.70	8.20	9.84	0.29
082					2.38	3.66	-	9.91		8.20	-	10.00	12.00	0.27
083					4.88	4.09	1.27	10.30		12.90	14.40	12.00	14.40	0.43
40-1	08A-1	12.70	1/2"	7.92	7.85	3.97	1.50	12.00	14.38	16.40	17.90	13.80	16.56	0.66
40-2	08A-2									30.80	32.30	27.60	33.12	1.30
40-3	08A-3									45.00	46.70	41.40	49.68	1.96
50-1	10A-1	15.875	5/8"	10.16	9.40	5.08	2.03	15.05	18.11	20.50	21.90	21.80	26.16	1.10
50-2	10A-2									38.20	40.00	43.60	52.32	2.14
50-3	10A-3									56.50	58.10	65.40	78.48	3.20
60-1	12A-1	19.05	3/4"	11.91	12.57	5.94	2.42	18.00	22.78	25.48	26.70	31.10	37.32	1.53
60-2	12A-2									48.40	49.50	62.30	74.76	3.00
80-1	16A	25.40	1"	15.88	15.75	7.94	3.23	23.50	29.29	32.70	34.10	55.60	66.72	2.63
80-2										61.80	63.40	111.20	133.44	5.24
100-1	20A	31.75	1 1/4"	19.05	18.90	9.53	4.00	30.00	35.76	40.00	43.10	86.70	104.04	4.03
100-2										75.80	78.90	173.50	208.20	8.02
120-1	24A	38.10	1 1/2"	22.23	25.22	11.10	4.80	36.20	45.44	50.50	54.00	124.60	149.52	5.94
120-2										95.94	99.40	249.10	298.92	11.84
140-1	28A	44.45	1 3/4"	25.40	25.22	12.70	5.60	42.00	48.87	53.50	57.80	169.00	202.80	7.50
140-2										102.50	106.70	338.10	405.72	14.89
160-1	32A	50.80	2"	28.58	31.55	14.27	6.50	48.26	58.55	64.67	70.67	222.40	266.88	10.20
160-2										124.02	130.02	444.80	533.76	20.25

Jiangxi Hengjiu Chain Transmission Co., Ltd

KETOZ Chain

-Transmit Safety & Reliability

Conveyor Chain /Attachments

ANSI Chain No.	Pitch		d1 max mm	b1 min mm	d2 max mm	h2 max mm	t/T mm	L max mm	Lc max mm	U.T.S KN	A.T.S KN	q kg/m
	mm	inch										
C2050	31.75	1”1/4	10.16	9.40	5.08	15.00	2.03	20.70	22.22	16.20	19.44	0.84
C2060	38.10	1”1/2	11.91	12.57	5.94	18.00	2.42	25.90	27.77	23.60	28.32	1.23
C2080	50.80	2”	15.88	15.75	7.92	23.50	3.25	32.70	36.50	41.00	49.20	2.17
C2100	63.50	2”1/2	19.05	18.90	9.52	30.00	4.00	40.40	44.70	59.40	71.28	3.01
C2050H	31.75	1”1/4	10.16	9.40	5.08	15.00	2.42	-	-	22.20	26.64	1.05
C2060H	38.10	1”1/2	11.91	12.57	5.94	18.00	3.25	29.20	31.60	23.60	28.32	1.51
C2080H	50.80	2”	15.88	15.75	7.92	24.00	4.00	36.20	39.40	41.00	49.20	2.53
C2100H	63.50	2”1/2	19.05	18.90	9.52	30.00	4.80	43.60	46.90	59.40	71.28	5.35

Stainless Steel Chains

DIN ISO Chain No.	Pitch	d1 max mm	b1 min mm	d2 max mm	L max mm	Lc max mm	h2 max mm	t/T max mm	Q KN	q kg/m
	mm									
25SS	3.350	3.30	3.18	2.31	7.9	8.4	6.0	0.8	2.5/568	3.09
35SS	9.525	5.08	4.77	3.58	12.4	13.17	9.00	1.30	5.5/1250	4.54
40SS	12.70	7.95	7.85	3.96	16.6	17.8	12.00	1.50	9.6/2182	7.89
50SS	15.875	10.16	9.40	5.08	20.7	22.2	15.09	2.03	15.2/3455	17.53
60SS	19.05	11.91	12.57	5.94	25.9	27.7	18.00	2.42	21.7/4932	22.20
08BSS	12.70	8.51	7.75	4.45	16.7	18.2	11.8	1.60	12.0/2727	11.77
10BSS	15.875	10.16	9.65	5.08	19.5	20.9	14.70	1.70	14.5/3295	17.53
12BSS	19.050	12.07	11.68	5.72	22.5	24.2	16.00	1.85	18.5/4205	22.20

Heavy Duty Chain

ANSI Chain No.	Pitch		d1 max mm	b1 min mm	d2 max mm	t/T mm	h2 max mm	Pt mm	L max mm	Lc max mm	U.T.S KN	A.T.S KN	q kg/m
	mm	inch											
40H-1	12.70	1/2”	7.95	7.85	3.96	2.03	12.00	14.38	18.80	19.90	14.10	19.10	0.82
50H-1	15.875	5/8”	10.16	9.40	5.08	2.42	15.09	18.11	22.10	23.40	22.20	30.20	1.25
60H-1	19.05	3/4”	11.91	12.57	5.94	3.25	18.00	26.11	29.20	31.00	31.80	42.70	1.87
80H-1	25.40	1”	15.88	15.75	7.92	4.00	24.00	32.59	36.20	37.70	56.70	71.40	3.10
100H-1	31.75	1”1/4	19.05	18.90	9.53	4.80	30.00	39.09	43.60	46.90	88.50	112.40	4.52
120H-1	38.10	1”1/2	22.23	25.22	11.10	5.60	35.70	48.87	53.60	57.50	127.00	160.90	6.60

HENGJIU GROUP- Since1953

Jiangxi Hengjiu Chain Transmission Co., Ltd



KETOZ Chain

-Transmit Safety & Reliability



Company Address

Jiangxi Hengjiu Chain Transmission Co., Ltd.
Huangyuan Development Area
Shangrao Industrial Park,
Jiangxi Province
China.

Contact Information

Mr. Brian
Tel: +86 793 6192282
Fax: +86 793 6192518
E-mail: brian@ketoz-chain.com
Web: www.ketoz-chain.com

“KETOZ” connect to the world and drive all of us.