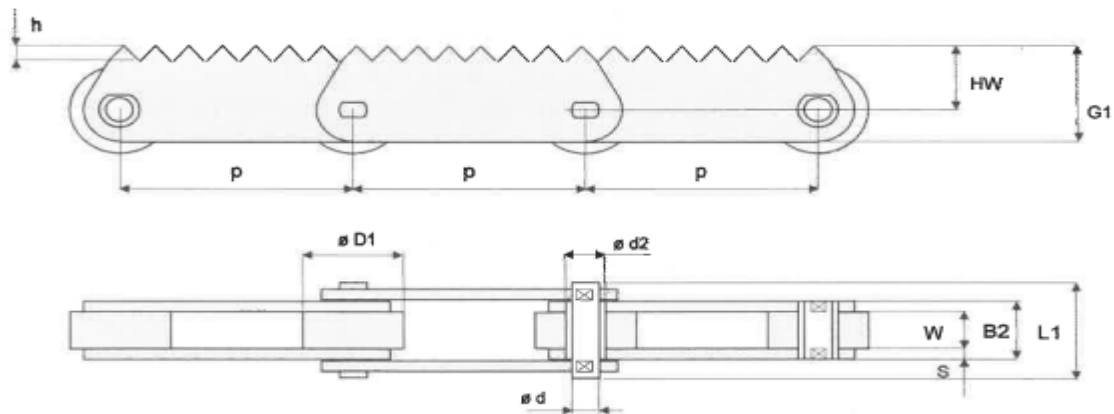



CATENE TRASPORTO LEGNAME TRONCHI 2

CHAINS CONVEYOR WOOD 2

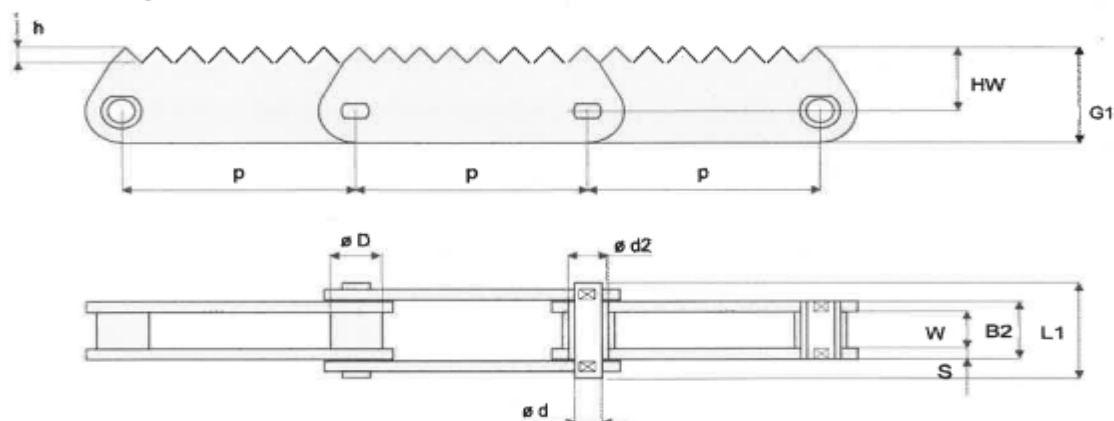


Secondo Norma DIN 8167

dimensioni mm

|  classe M | CARATTERISTICHE CATENE | | | | | | | | | | | | | | |
|---|------------------------|---------------|--------------|------------------|----------------|-------------------|------|-----------------|--------------|-----------------|---------------------|--------------------|-----------------|---------------|------------------|
| | passo catena | largh interna | perno catena | diametro bussola | diametro rullo | larghezza interna | | lunghezza perno | ingombro max | altezza piastra | (f) superf di snodo | carico rottura MIN | altezza piastra | altezza dente | spessore piastra |
| | p | W | d | d2 | D1 | B2 | B3 | L1 | L2 | G | (cm2) | (KN) | H | h | S |
| M - 56 | 80 | 24,0 | 10,0 | 15,0 | 42,0 | 33,0 | 33,3 | 72,0 | 30,0 | 45,0 | 3,30 | 56,0 | 30,0 | 6,0 | 4,0 |
| M - 80 | 80 | 24,0 | 12,0 | 18,0 | 25,0 | 39,0 | 39,4 | 86,0 | 35,0 | 45,0 | 4,68 | 80,0 | 30,0 | 6,0 | 5,0 |

CATENE derivate dalla serie M



dimensioni mm

| codice | p | W | d | d2 | D | B2 | B3 | L1 | S | G1 | (cm2) | (KN) | H | h | S |
|-------------|----|------|------|------|------|------|------|------|-----|------|-------|-------|------|-----|-----|
| 318 671 081 | 80 | 32,0 | 15,0 | 21,0 | 30,0 | 45,0 | 45,5 | 63,0 | 6,0 | 55,0 | 6,75 | 112,0 | 25,0 | 3,0 | 6,0 |