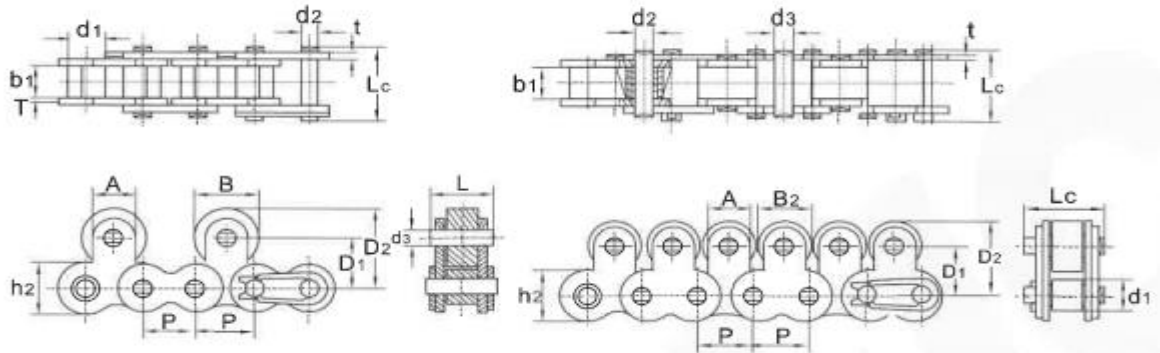
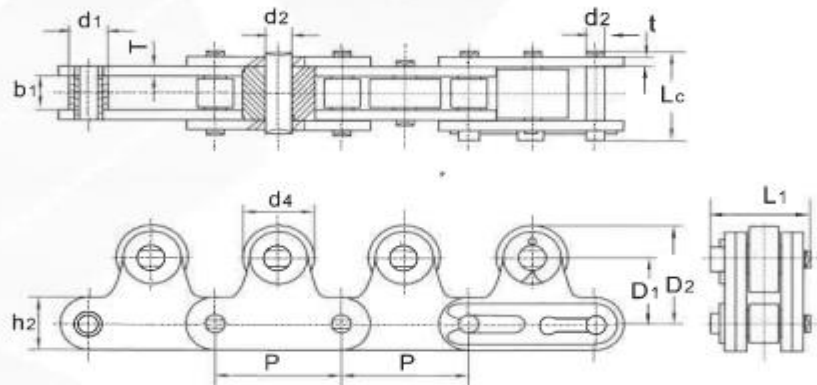


# CATENE FREE ROLLER ASA UN RULLO SUPERIORE

## CHAINS FREE ROLLER ASA



CHJC Chain No.	Pitch		d1 mm	b1 mm	d2 mm	T mm	h2 mm	Lc mm	q <sub>1</sub> kg/m	q <sub>2</sub> kg/m	q <sub>3</sub> kg/m	q <sub>4</sub> kg/m
	mm	inch										
40TR	12.700	1/2"	12.70	7.92	3.96	1.52	11.99	18.21	1.83	1.41	0.92	0.85
50TR	15.875	5/8"	15.875	9.53	5.08	2.03	15.01	22.3	2.40	2.17	1.56	1.38
60TR	19.050	3/4"	19.05	12.7	5.94	2.39	18.11	27.61	3.60	3.18	2.31	2.02
80TR	25.400	1"	25.40	15.88	7.93	3.18	24.10	35.51	6.09	5.27	3.90	3.44
100TR	31.750	1 1/4"	31.75	19.05	9.53	3.96	30.10	42.62	9.30	8.85	6.06	5.42



CHJC Chain No.	Pitch		d1 mm	b1 mm	d2 mm	T mm	h2 mm	Lc mm	q <sub>1</sub> kg/m	q <sub>2</sub> kg/m
	mm	inch								
C2040TR	25.40	1"	7.92	7.92	3.96	1.52	11.99	18.21	1.32	0.91
C2050TR	31.75	1 1/4"	10.13	9.53	5.08	2.03	15.01	22.30	2.04	1.44
C2060HTR	38.10	1 1/2"	11.91	12.71	5.94	2.39	17.20	31.12	3.68	2.77
C2080HTR	50.80	2"	15.88	15.88	7.93	3.18	23.01	39.19	5.65	4.29
C2100HTR	63.50	2 1/2"	19.05	19.05	9.53	3.96	28.60	46.30	9.11	6.50