

CATENE DI SOLLEVAMENTO A RULLI

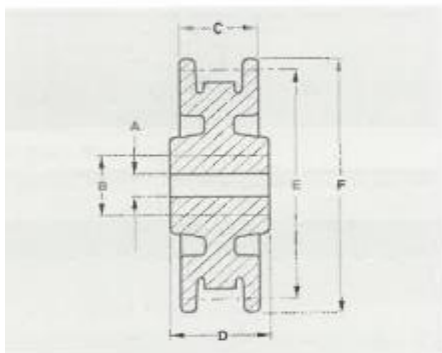
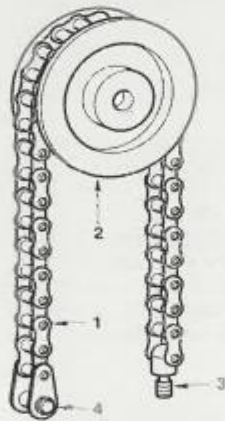
CHAINS AGRICULTURAL ATTACHMENTS MAIS 2



Key

1. Chain
2. Guide pulley
3. Anchor stud
4. End attachment link

Unlike link chains, roller chains are exempt from annual annealing requirements for this type of application.



Guide pulleys

Dimensions (mm)

Renold Chain No.	Part No.	Stock Bore	Max Bore	Width Over Flanges	Distance Through Boss	Chain Pitch Diam.	Outside Dia
		A	B	C	D	E	F

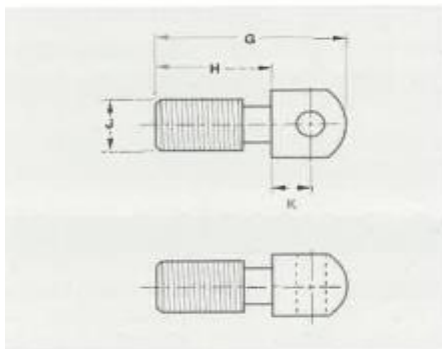
Standard Roller Chains

111046	661200	12.000	25.000	23.000	25.000	80.140	89.000
08B1	661201*	12.000	25.000	28.000	32.000	85.980	95.000
10B1	661202*	14.000	32.000	31.000	38.000	105.410	114.000
12B1	661203*	19.000	35.000	38.000	45.000	126.370	140.000
16B1	661204*	30.000	50.000	54.000	64.000	171.580	191.000

Extended Pitch Roller Chains

208B1GF	661201	12.000	25.000	28.000	32.000	85.980	95.000
210B1GF	661202	14.000	32.000	31.000	38.000	105.410	114.000
212B1GF	661203	19.000	35.000	38.000	45.000	126.370	140.000
216B1	661204	30.000	50.000	54.000	64.000	171.580	191.000

* Sprockets can be supplied for use with these chains.



Anchor Studs

Dimensions (mm)

Renold Chain No.	Part No.	Overall Length Max	Thread Length Max	Metric Thread Size	Pin to Shoulder Max
		G	H	J	K

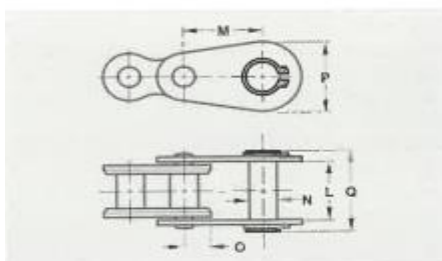
Standard roller chains

08B1	661031	27.000	16.400	M8-1.25	5.720
08B1	661032	32.000	20.000	M10-1.50	6.860
10B1	661033	41.000	26.000	M12-1.75	7.820
12B1	661034	44.000	26.000	M16-2.00	9.140
16B1	661035	62.000	39.000	M20-2.50	11.810

Extended Pitch Roller Chains

208B1GF	661032	32.000	20.000	M10-1.50	6.860
210B1GF	661033	41.000	26.000	M12-1.75	7.820
212B1GF	661034	44.000	26.000	M16-2.00	9.140
216B1	661035	62.000	39.000	M20-2.50	11.810

* Sprockets can be supplied for use with these chains.



End attachment links

Dimensions (mm)

Renold Chain No.	Part No.	Stock Bore	Max Bore	Width Over Flanges	Distance Through Boss	Chain Pitch Diam.	Outside Dia
		L	M	N	O	P	Q

Standard Roller Chains

08B1	111046/230	7.600	19.050	8.000	5.800	17.000	19.000
08B1	110046/230*	11.400	19.050	8.000	5.800	18.300	24.000
10B1	111056/230*	13.400	25.400	10.000	6.700	21.000	27.000
12B1	111066/230*	15.700	31.750	11.000	7.800	26.000	30.000
16B1	111088/230*	25.600	38.100	16.000	10.300	35.400	42.500

Part No. 230 comprises end attachment link riveted to an inner link (No.4) and is supplied complete. It is secured to chain by means of an outer link (No. 107).