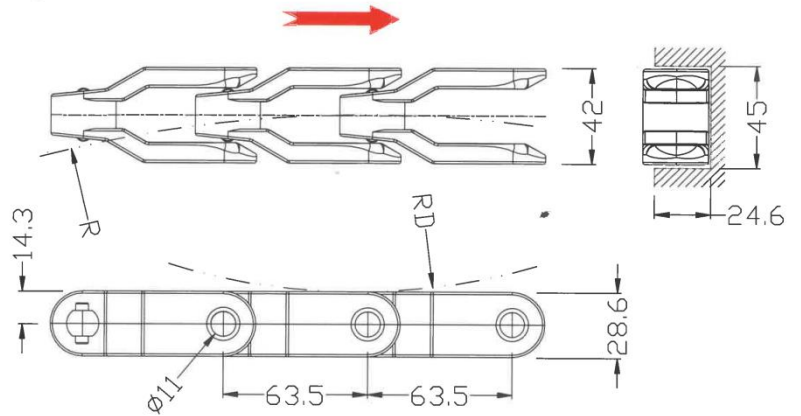
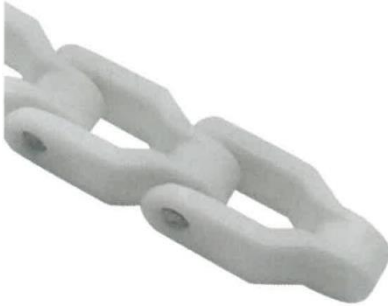


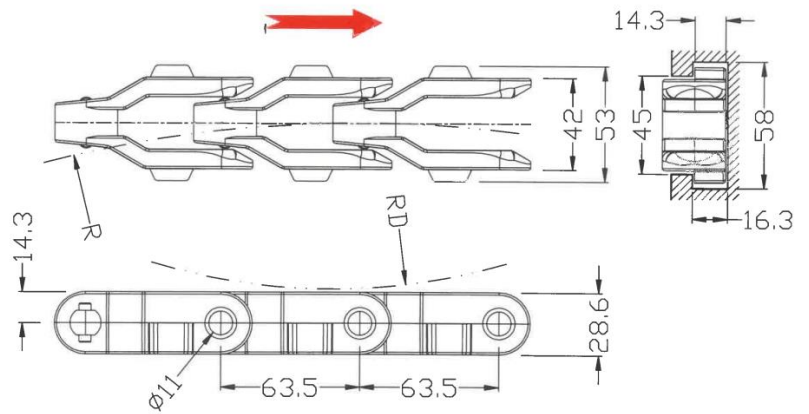
# CATENA A FALSE 2600- 2600 TAB PLASTICA

## CHAIN CRANKED RUN SINGLE HINGE PLASTIC



Chain Type	Chian width	Pitch	Sideflex Raius (Min)	Backflex Radius ( Min )	Working Load(Max)	Weight	Chain Material
	mm	mm	mm	mm	N ( 21°C )	Kg/m	
2600	42	63.5	457	50	8000	1.3	XLHS
	42	63.5	457	50	11000	1.3	HGHS

Packing Standard: 3.048 Meters/Box 10 Feet/Box ( 48 Links )



Chain Type	Chian width	Pitch	Sideflex Raius (Min)	Backflex Radius ( Min )	Working Load(Max)	Weight	Chain Material
	mm	mm	mm	mm	( 21°C )	Kg/m	
2600TAB	42	63.5	457	50	8000	1.3	XLHS
	42	63.5	457	50	11000	1.3	HGHS

Packing Standard: 3.048 Meters/Box 10 Feet/Box ( 48 Links )



OGNIBENE S.P.A. \_ VIA DEL TIPOGRAFO, 6 \_ 40138 BOLOGNA \_ ITALY  
 TEL: +39 051 534225 \_ FAX: +39 051 535083  
[sales@ognibenechaintech.it](mailto:sales@ognibenechaintech.it) \_ [www.ognibenechaintech.com](http://www.ognibenechaintech.com)