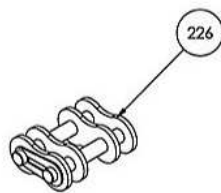
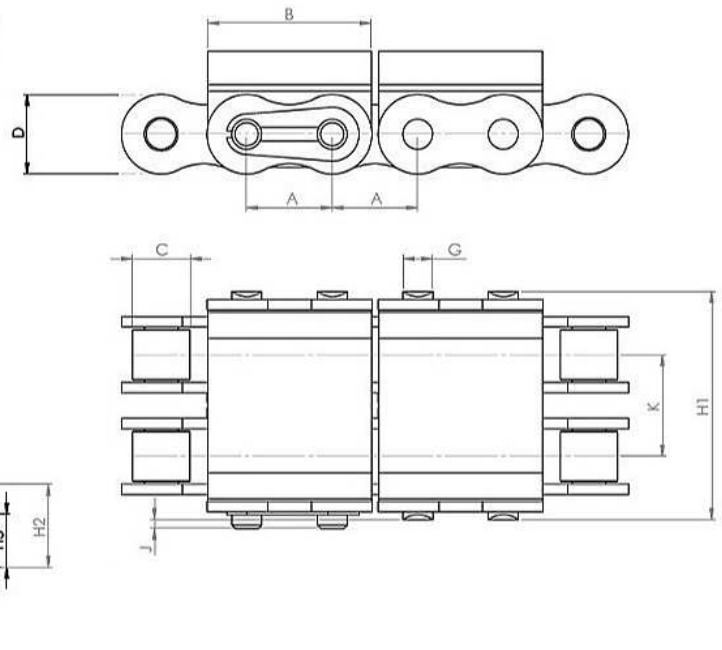
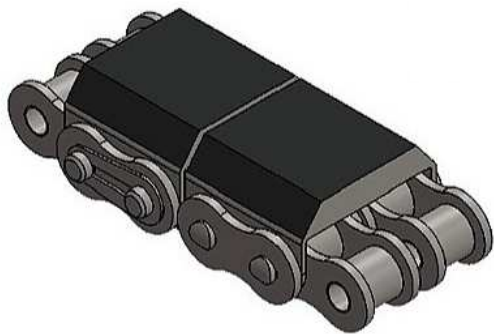


CATENA OE CON ATTACCHI A PONTE IN GOMMA DOPPIA VULCANIZZATA

CHAIN OE POLYMER BLOCK DUPLEX



ISO STANDARD													ISO606 TENSILE STRENGTH (NEWTONS) MIN
CHAIN CODE	REF.	A - PITCH (MM)	B - INSIDE WIDTH	C - ROLLER DIAM. MIN	G - PIN DIAM. MAX	H1 - PIN LENGTH MAX	T	L	H3	H2	S	B	
600530000	08-B2	12.700	7.750	8.510	4.450	33.500	20	28.4	8.3	12.3	1.3	24.32	32000
601082UG1	10-B2	15.875	9.650	10.160	5.080	38.900	29	33	10.5	13	1.3	30	45400
600760000	12-B2	19.050	11.680	12.700	5.720	45.400	31	39	12	19.5	1.8	37	57800
601682UG1	16-B2	25.400	17.020	15.880	8.280	70.800	56.8	62	15.4	21.4	1.8	48	106000